

# SUBCON-PLUS M1

Order No.: 2761826

The illustration shows version SUBCON-PLUS M 2



<http://eshop.phoenixcontact.de/phoenix/treeViewClick.do?UID=2761826>

D-SUB connector, 9-pin, with two cable entries, bus system: MODBUS, MODBUS-PLUS, BITBUS, ARCNET, MULT/MININET (B&R), SYSTEM 2003 (B&R), P-NET, pin assignment: 1, 2, 3, 5, 6, 8, version: Male

**RS-485** *Modbus*

Commercial data	
EAN	4017918131821
Pack	1 Pcs.
Customs tariff	85366990
Weight/Piece	0.0636 KG
Catalog page information	Page 473 (IF-2007)

**Product notes**

WEEE/RoHS-compliant since: 01/25/2007



<http://www.download.phoenixcontact.com>  
Please note that the data given here has been taken from the online catalog. For comprehensive information and data, please refer to the user documentation. The General Terms and Conditions of Use apply to Internet downloads.

## Technical data

General data	
Nominal voltage $U_N$	60 V AC/DC
Nominal current $I_N$	1 A
Bus system	MODBUS, MODBUS-PLUS, BITBUS, ARCNET, MULT/MININET (B&R), SYSTEM 2003 (B&R), P-NET

Insertion/withdrawal cycles	> 200
Max. cable diameter	10 mm
Min. cable diameter	6 mm
SUBCON fixing screws	4-40 UNC
Tightening torque	0.4 Nm
Ambient temperature (operation)	-20 °C ... 75 °C
Housing material	ABS, metal-plated
Pin assignment	1,2,3,5,6,8 on two terminal blocks

**Connection data**

Connection	D-SUB connection
Number of positions	9
Type of connection	D-SUB pin strip
Tightening torque	0.4 Nm
Connection	PCB connection
Type of connection	Screw connection
Conductor cross section solid min.	0.14 mm <sup>2</sup>
Conductor cross section solid max.	1.5 mm <sup>2</sup>
Conductor cross section stranded min.	0.14 mm <sup>2</sup>
Conductor cross section stranded max.	1 mm <sup>2</sup>
Conductor cross section AWG/kcmil min.	26
Conductor cross section AWG/kcmil max	16
Stripping length	5 mm
Tightening torque	0.4 Nm

**Certificates / Approvals**

Approval logo

**requested approbations**

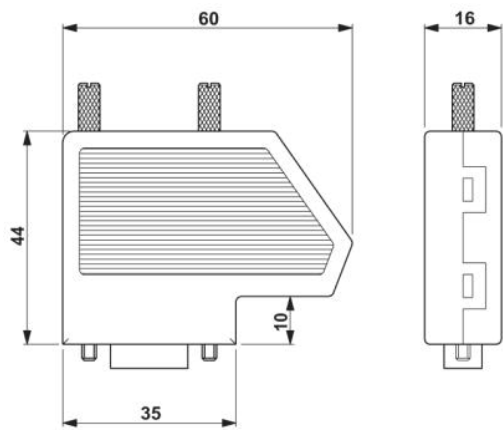
Certification	CUL, GOST, UL
---------------	---------------

**Accessories**

Item	Designation	Description
<b>Assembly</b>		
2799694	SUBCON-SHORT-SCREW	Optional fixing screw, short (w/o knurl)

**Drawings**

Dimensioned drawing



Dimensional drawing SUBCON-PLUS...

**Address**

PHOENIX CONTACT Inc., USA  
586 Fulling Mill Road  
Middletown, PA 17057, USA  
Phone (800) 888-7388  
Fax (717) 944-1625  
<http://www.phoenixcon.com>



© 2008 Phoenix Contact  
Technical modifications reserved;